

Quick Start Guide

IPEVO Uplift Multi-Angle Arm for Smartphones

IPEVO
www.ipevo.com

Customer Service
Email: cs@ipevo.com
Tel: +1-408-490-3085 (USA)

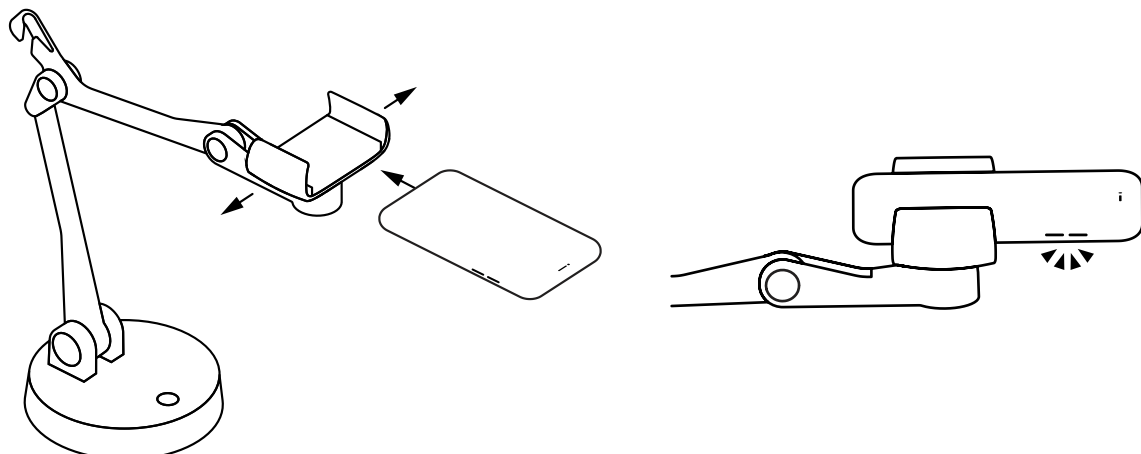
Copyright© 2020 IPEVO Corp. All rights reserved

What is IPEVO Uplift

IPEVO Uplift is the ultimate tool for those who choose to use their smartphone as a document camera or a webcam. Place your phone into the Uplift's holder and have it become your table-top camera which integrates the capabilities of webcams and of document cameras. Uplift aims to enhance your distance communication experience and this guide will help you set it up.

Placing your smartphone into the holder

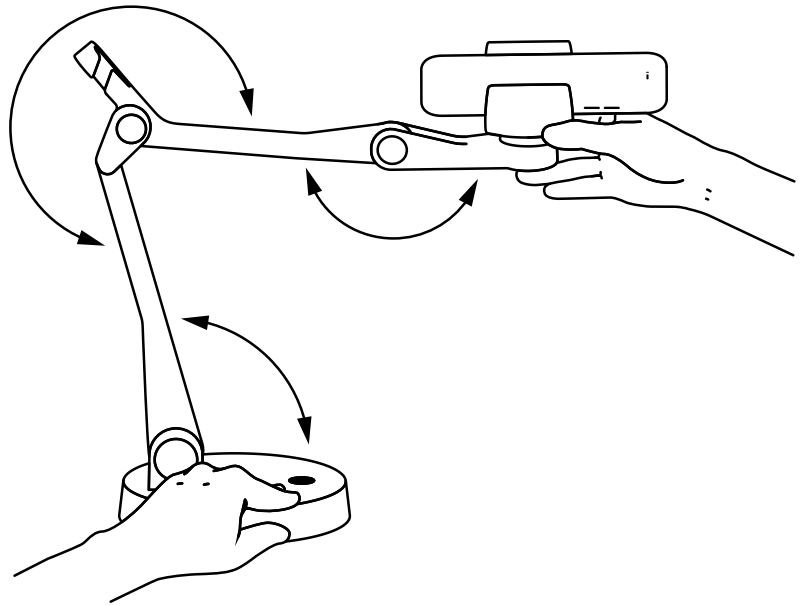
The first step is to insert the phone into the smartphone holder, which is located at the end of the Uplift's multi-jointed arm. To do that, please use the edge of your phone to support one of the clamps and carefully pull the other clamp in the opposite direction with your free hand. When the distance between the clamps is sufficient, please insert your phone carefully. The camera of your phone should not be obstructed by the Uplift's body and should be facing away from the Uplift's body.



Uplift can accommodate smartphones with a width ranging between 2.7 - 3.8 Inch (70 - 98mm).

Switch between horizontal and vertical view

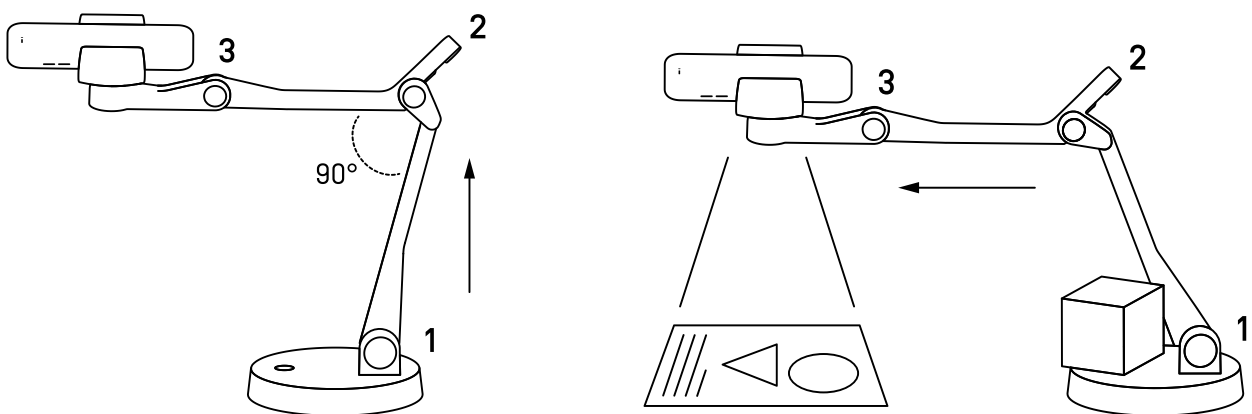
The whole smartphone holder can be rotated 360°, which allows users to find the most suitable image orientation for the type of thing that they are showing and switch the orientation with ease anytime they need. Most commonly, the horizontal orientation is used when displaying the surface of one's desk, while the vertical orientation is suitable for displaying one's face during video calls.



Operating the multi-jointed arm

Carry weight limit

Uplift can support phones of weight up to 0.66 lbs [300g]. When using Uplift as a document camera, ie. the smartphone's camera is aiming downwards, it is recommended to have the joint number 2 positioned at 90° angle relative to the base. If you need to extend the arm further to the front and Uplift starts tilting forward, please verify whether an additional protective cover of your smartphone isn't increasing its weight beyond what Uplift can support under this angle.



Increasing the image capturing area

In order to capture a wider area, you can increase the distance between the camera lens and your desk by moving the Uplift's arm into a more upright position.